

Temp Units allows you to switch between viewing the temperature in Celsius or Fahrenheit.

Factory Reset will return all settings to the factory default

Additional Resources

Need additional help? Please feel free to contact us.

Email: service@incubatorwarehouse.com

Phone: 208-740-1344

Facebook: www.facebook.com/IncubatorWarehouse/

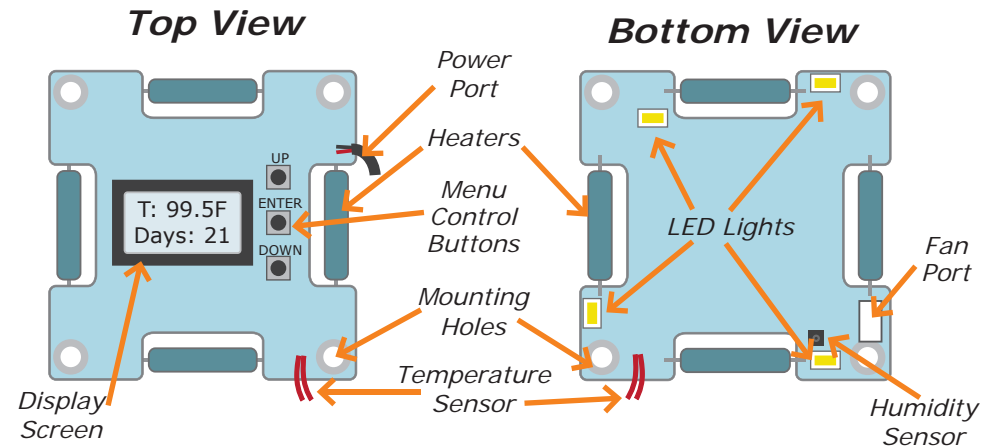


Share your build with us!
We would love to see what you create.

IncuKit Mini 2™



Basic Components



Installation

Due to the DIY nature of this kit, the specifics of your installation will depend on your particular configuration. But there are some basic things to help you get started.

Determine What Container to Use

The container must not be too large for the amount of heat this kit can provide. We recommend the maximum container size be 2,600 cubic inches, but the size capability varies depending on how insulated the container is.

Note: There needs to be a way for fresh air to get in to provide oxygen for the developing birds, so don't go overboard with the insulation and seal off all vent holes.

Determine Mounting Location

Determine where you will mount the IncuKit Mini. We recommend mounting it at the top (ceiling) of your container to get the best air circulation and to keep the chicks from getting too close to the fan or heaters.

Installing with Included Mounting Plate

The IncuKit Mini comes attached to a mounting plate to make mounting easier.

1. Cut a 4.5" Square hole in the determined mounting location.
2. Insert the module into the hole, centering it to keep all the heaters at an equal distance from the edges.

Caution: having heaters against the side of the cut hole can cause damage to your incubator and pose a fire risk.

3. Secure the mounting plate to your incubator. There are 4 included screws that can be used to secure the mounting plate. If your incubator is made of Styrofoam, we do not recommend using screws for your configuration. Use a foam-safe glue or tape.

Note: Test any glue first to ensure it doesn't melt Styrofoam.

4. Position the temperature sensor in a location that will be as close as you can to the level of your eggs.
5. Plug-in power supply.

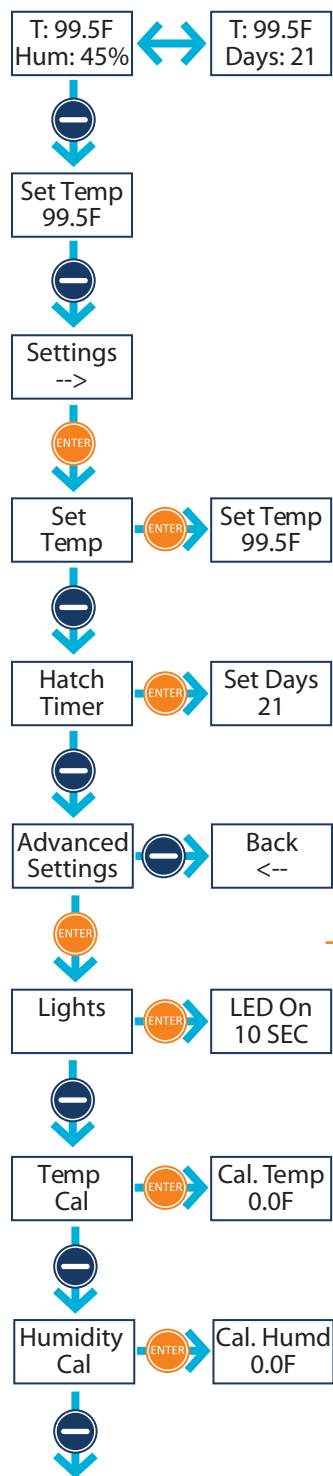
Installing without Included Mounting Plate

If you choose to mount the IncuKit Mini without the included mounting plate there are a few things that need to be considered.

- The surface you mount the module to cannot be too thick. The thicker the mounting surface is, the more inset the screen and buttons will be. This will make it harder to view the screen and change settings.
- The spacers used in mounting the module to the mounting plate must be used to mount the module to the incubator wall. The spacers keep the heaters a safe distance away from the mounting surface.
- The hole cut in the incubator wall for the screen and buttons may let out too much heat and humidity for your configuration. Fixing this may be as simple as making a flap to cover the hole when not using the screen or buttons

Settings

When any button is pressed the screen will light up and the lights in the incubator will come on. When in the settings menu, use the PLUS or MINUS buttons to make changes and press ENTER to save. If no button is pushed for 30 seconds, the incubator will automatically exit the menu without saving the current change. Make sure to press ENTER after changing any setting to save.



When the unit is running the display will show the current temperature and toggle between showing the humidity and remaining days until hatch.

Press the down button to see the current set temperature.

Press the down button to get to the settings screen and then Enter to enter the settings menu.

Set Temp is the target temperature for the incubator. The default is 99.5 F.

Hatch Timer default is 21 days (the time needed for most chicken eggs).

To go into the **Advanced Settings** menu press enter on the 'Advanced Settings' screen. Or you can scroll down to 'Back' screen and hit ENTER to return to main display.

Lights is the amount of time the light in the incubator will stay on after a button has been pushed. The default setting is 10 seconds.

Temp Cal allows you to calibrate the built-in thermometer. This usually does not need to be adjusted.

Humidity Cal allows you to calibrate the built-in hygrometer. This usually does not need to be adjusted.